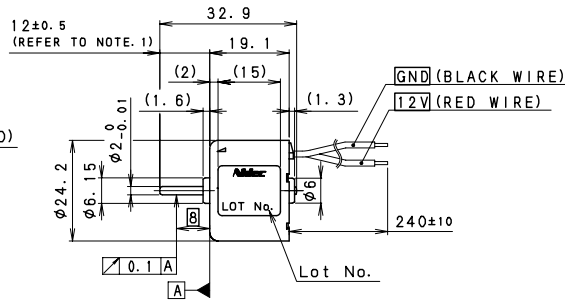
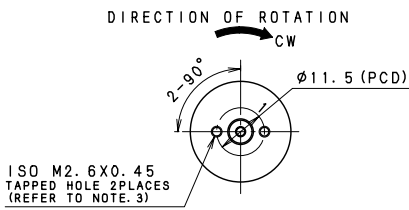


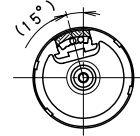
標準 DC ブラシレスモータ (13H、22Hシリーズ)

●外形図 External Dimensions

13Hリード線タイプ



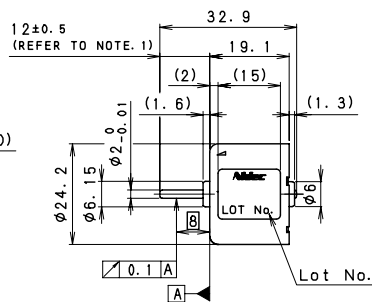
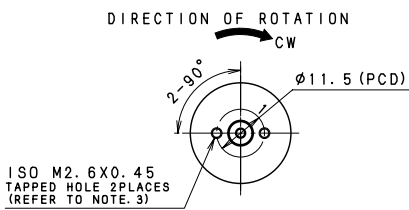
LEAD WIRE
UL3385 AWG24



NOTES

1. THIS DIMENSION APPLIES ONLY WHEN MOTOR SHAFT IS IN EXTREME RIGHT POSITION.
2. SHAFT END PLAY 0.3 MAX.
3. USABLE SCREW LENGTH 1.6 MAX FROM MOTOR MOUNTING SURFACE.

13Hコネクタタイプ



CONNECTOR
HOUSING: BM05B-SRSS-TB (JST)

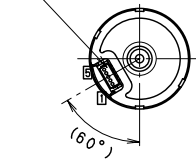
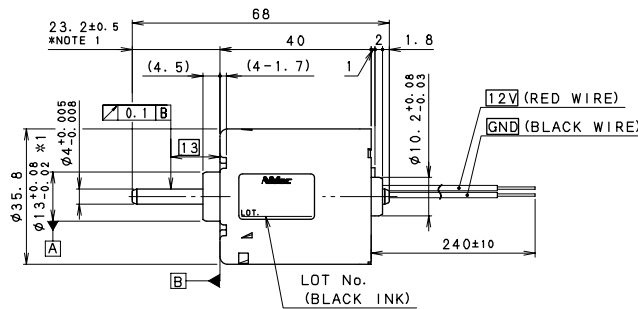
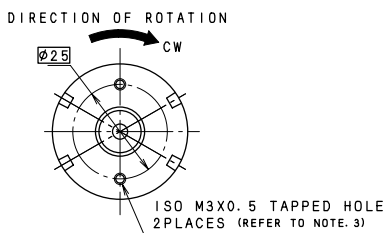


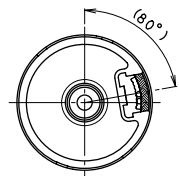
TABLE1 CONNECTER INTERFACE

No.	PIN ARRANGEMENT
1	GND
2	12V or 24V
3	N/C
4	PWM
5	N/C

22Hリード線タイプ



LEAD WIRE
UL3385 AWG24

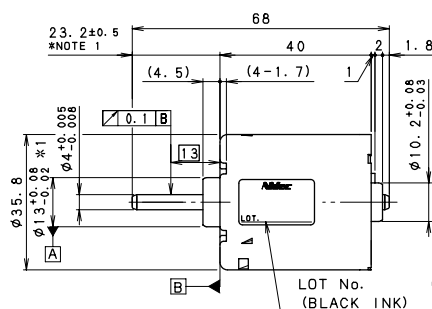
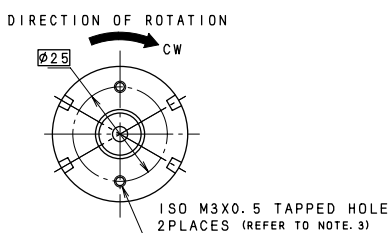


NOTES

1. THIS DIMENSION APPLIES ONLY WHEN MOTOR SHAFT IS IN EXTREME LEFT POSITION.
2. SHAFT END PLAY 0.3 MAX.
3. USABLE SCREW LENGTH 4.0 MAX FROM MOTOR MOUNTING SURFACE.

*1:
22H Ball Bearing Type
 $\phi 10.08+0.08/-0.02$

22Hコネクタタイプ



CONNECTOR
HOUSING: BM03B-PASS-TFT(JST)

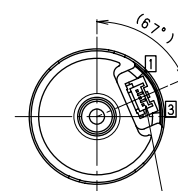


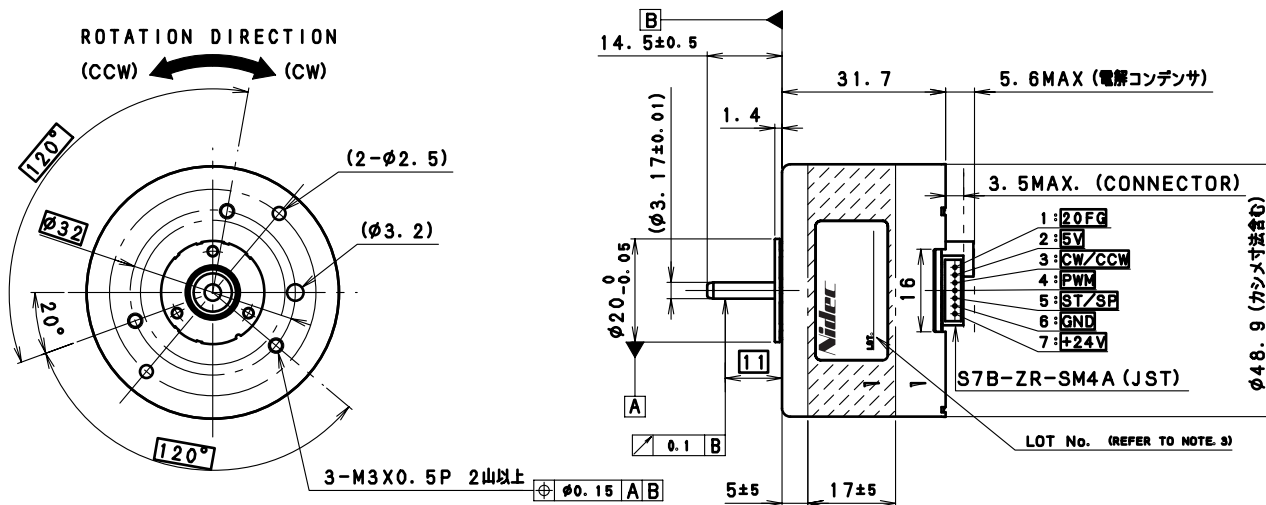
TABLE1 CONNECTER INTERFACE

No.	PIN ARRANGEMENT
1	12V or 24V
2	GND
3	PWM

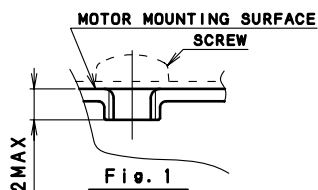
標準 DC ブラシレスモータ (27Hシリーズ)

●外形図 External Dimensions

27Hタイプ

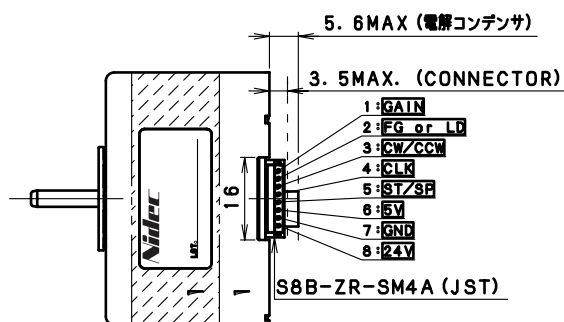


PWMタイプ



NOTES

1. THIS DIM. APPLIES ONLY WHEN MOTOR SHAFT IS IN EXTREME LEFT POSITION.
2. SHAFT END PLAY 0.3 MAX.
3. SHOWS THE POSITION OF A LOT NUMBER. THE POSITION OF A LOT NUMBER SHALL BE IN THE RANGE OF .
4. USABLE SCREW LENGTH 2.0 MAX FROM MOTOR MOUNTING SURFACE (Fig. 1).



PLLタイプ

*単位は、mm 表示
*指示無き公差：±0.3mm

*Dimensions in millimeters
*Tolerance = ±0.3, Unless otherwise specified